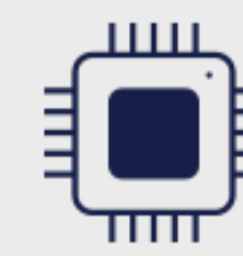


VIOTEC



Key Features



1/2.8" progressive scan CMOS



2.7 - 13.5mm motorized lens



2 MPx (1920x1080) @ 25fps



3 Year Warranty



Triple Streams



3D DNR, Real WDR, ICR, IVS, Defog



IP67 outdoor rating



Smart IR technology, range up to 131.2 Ft.

VIOTEC

VT-PCAM-B02-M
2 MPX BULLET NETWORK CAMERA

Specifications

General

Image Sensor	1/2.8" Progressive Scan CMOS
Pixel Count	2592 (H) × 1520 (V)
Shutter Speed	1/5 to 1/20,000 Seconds
Signal / Noise Ratio	55 dB
Gain Control	Automatic / Manual
IR Technology	Smart IR
IR Range	Up to 131.2 Feet (40 Meters)
IR Control	Automatic / Manual (On / Off)
Minimum illumination (B/W)	0 Lux with IR LEDs On
Minimum illumination (Color)	0.05 Lux @ F1.2 with AGC On
Day / Night Settings	Automatic / Day / Night / Timed
Day / Night Method	Infrared Cut Filter (ICR)
Interoperability	ONVIF, CGI
Storage	Supports Micro SD Card 128GB (Card Not Included)

Video

Max. Resolution	2 MPx (1920×1080)
Stream Count	3 Streams
Stream Per Frame Rate	Stream1: 2592×1520 @ 25 / 30 fps Stream2: D1 @ 25 / 30 fps Stream3: VGA @ 25 / 30fps
Bit Rate Encoding Control	Constant (CBR) / Variable (VBR)
Bit Rate	Stream1: 200 kbps to 12 Mbps Stream2: 100 kbps to 6 Mbps Stream3: 100 kbps to 3 Mbps
Image Enhancement	HLC/BLC/Anti-shake/Defog
Noise Reduction	2D / 3D Digital Noise Reduction (DNR)
Wide Dynamic Range	120 dB True WDR

Camera Lens

Focal Length	2.7 to 13.5mm
Maximum Aperture	F1.4
Angle of View	34.3° to 103° (Horizontally)
Focus Control	Automatic / Manual (Motorized)
Lens Type	Motorized
Iris	Fixed Iris

Audio

Audio Compression	G.711, RAW_PCM
Bit Rate	8kbps (G.711), 16kpbs (RAW_PCM)

Pan / Tilt / Zoom

Pan Range	0° to 360°
Tilt Range	0° to 90°
Rotation Range	0° to 360°

Interface

Ethernet	1 Ethernet RJ45 Connector (10/100 Base-T)
Audio	1 Input Channel / 1 Output Channel
Alarm	1 Input Channels / 1 Output Channels
Reset Button	Supported

Intelligence Video Analytics

Region of Interest	8 Zones (On / Off)
Privacy Masking	4 Areas (On / Off)
View Adjustments	Mirror Mode Aisle Mode
Basic Analytics	Motion Detection Perimeter Intrusion Detection Single Virtual Fence
Advanced Analytics	Bad Signal Loitering Trace Object Left Alone Detection Object Removed Detection

Electrical

Power Supply	PoE / 12 VDC
Power Consumption	3.5 W @ IR OFF / 8 W @ IR ON

Mechanical

Material	Metal Casing
Dimensions	Φ 9.13 x 2.94 x 3.14 (Φ232×74.8×80mm)
Net Weight	1.72 Lbs (0.78 Kg)

Network

Protocols	IPv4/IPv6, 802.1x, HTTP, HTTPS, TCP/IP, UDP/IP, RTSP, DHCP, NTP, RTCP/RTP, PPPoE, SMTP, DNS, UPnP, FTP, ARP, SNMP
Streaming Method	Unicast
Maximum Accessible Users	10 Users
Web Viewer	Internet Explorer, Chrome, Firefox
Management Software	VTS (Video Center) VSMP (Viotec Security Management Platform)

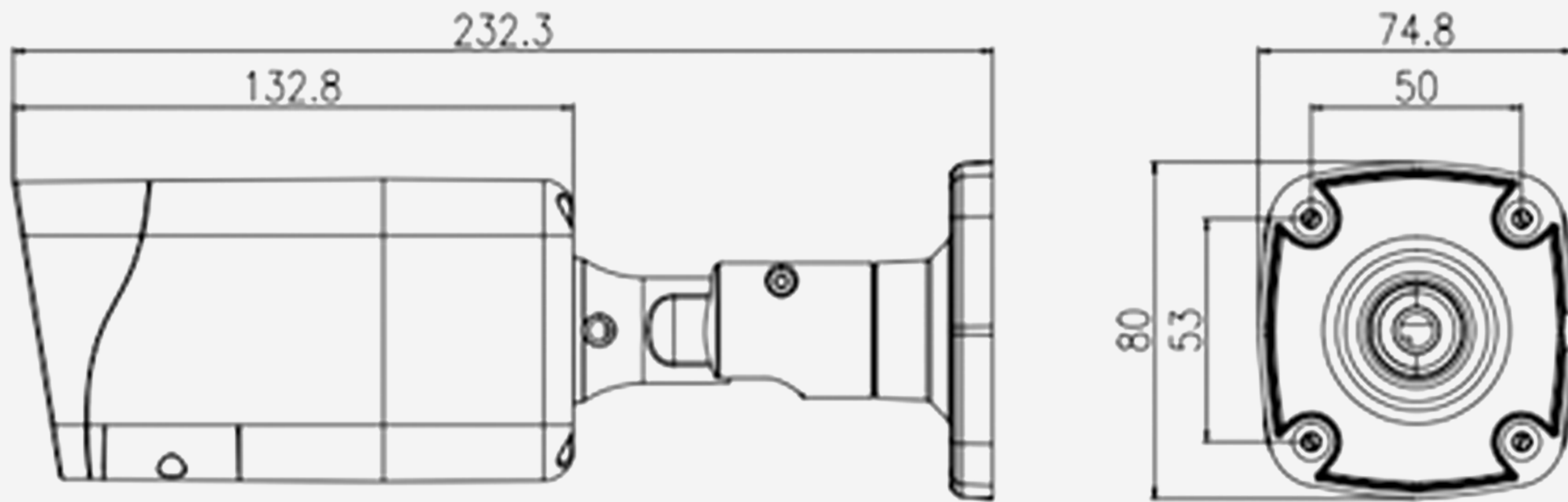
Environmental

Operating Temperature	-22°F to 122°F (-30°C to 50°C)
Operating Humidity	Less than 90% RH
Ingress Protection	IP67 Outdoor Rated

Regulatory

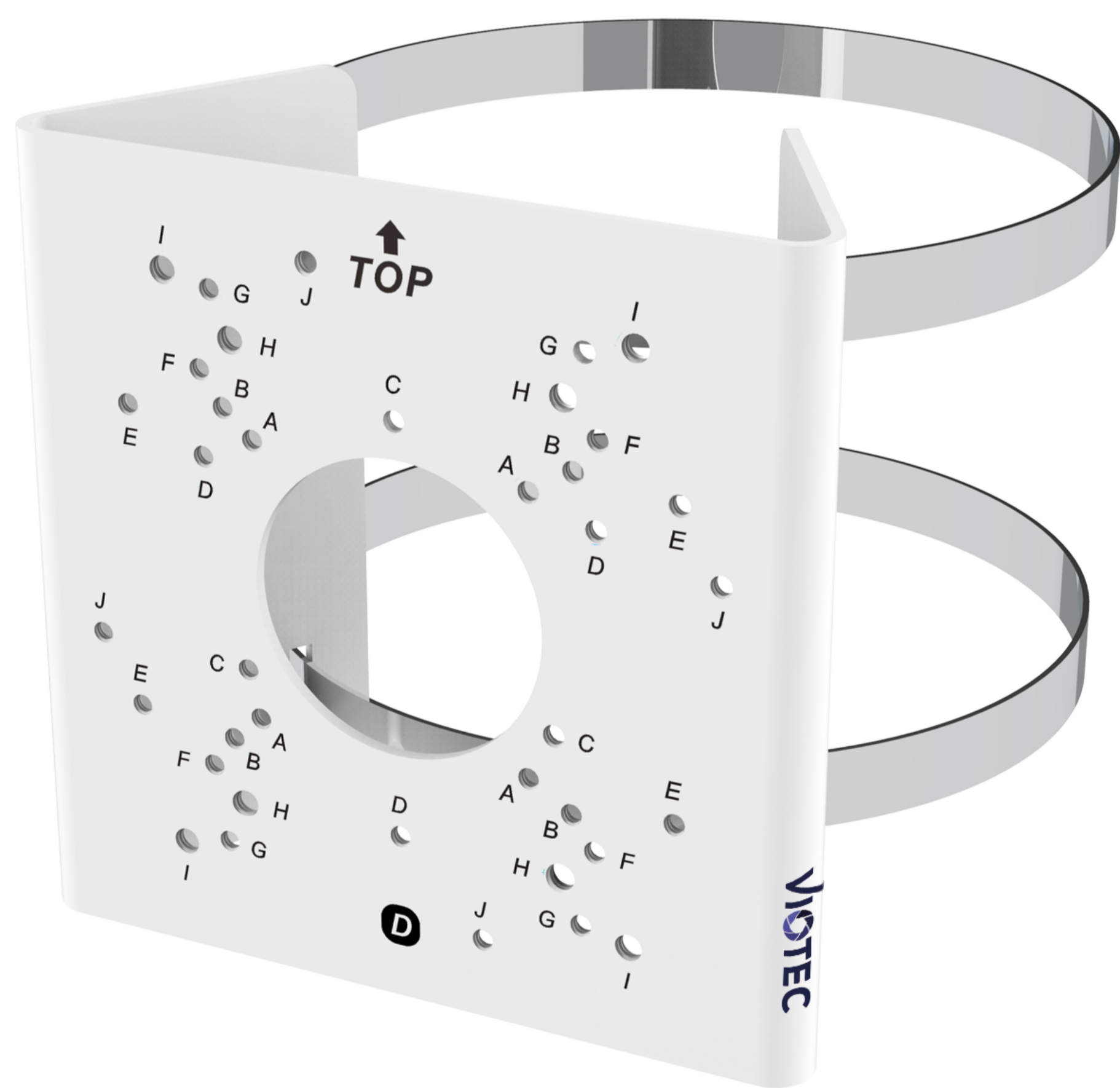
Certifications	CE / FCC
----------------	----------

Dimensions (mm)



Accessories

01



VT-CACC-BC-PMB
(Pole Mounting Bracket)

02



VT-CACC-BC-JB
(Junction Fixation Box)

Ordering Information

Model	Description
VT-PCAM-B02-M	2 MPX IR BULLET NETWORK CAMERA
VT-CACC-BC-JB	JUNCTION FIXATION BOX
VT-CACC-BC-PMB	POLE MOUNTING BRACKET



Adkinns | 200 Continental Dr
US Office | Newark, DE 19713
United States
Telephone | +1302 318 1311
Email | info@viotec.us
Website | www.viotec.us

Viotec warrants all its products against any and all manufacturing defects from the date of product delivery from the factory and/or distribution center. Viotec's enterprise series has a warranty of 3 years

VT-PCAM-B02-M – Datasheet V.001

VIOTEC

©2021, Viotec, Inc, all rights reserved . We reserve the right to change the design and specifications without notice. Viotec Inc is a specialised security manufacturer that is fully owned by Adkinns Inc.