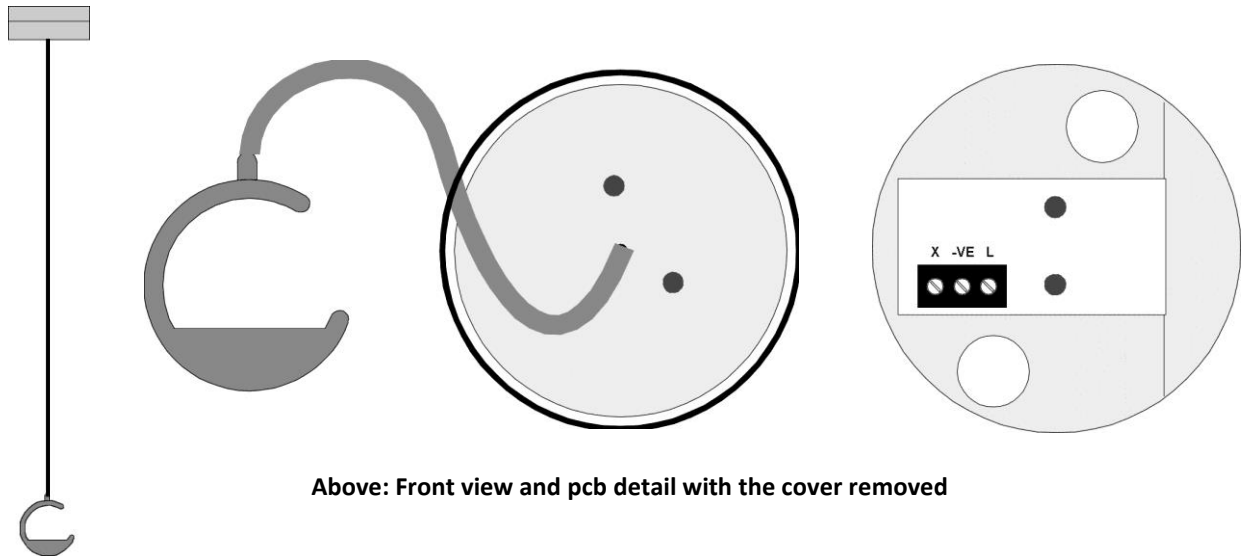


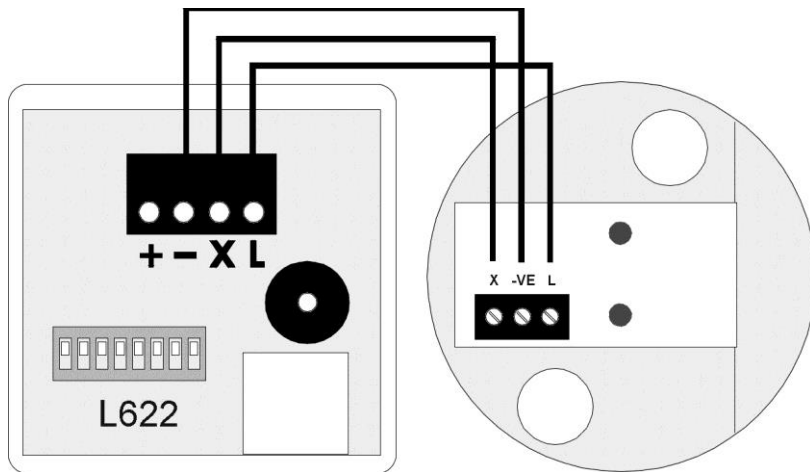


### CS1 Ceiling Pull Switch.

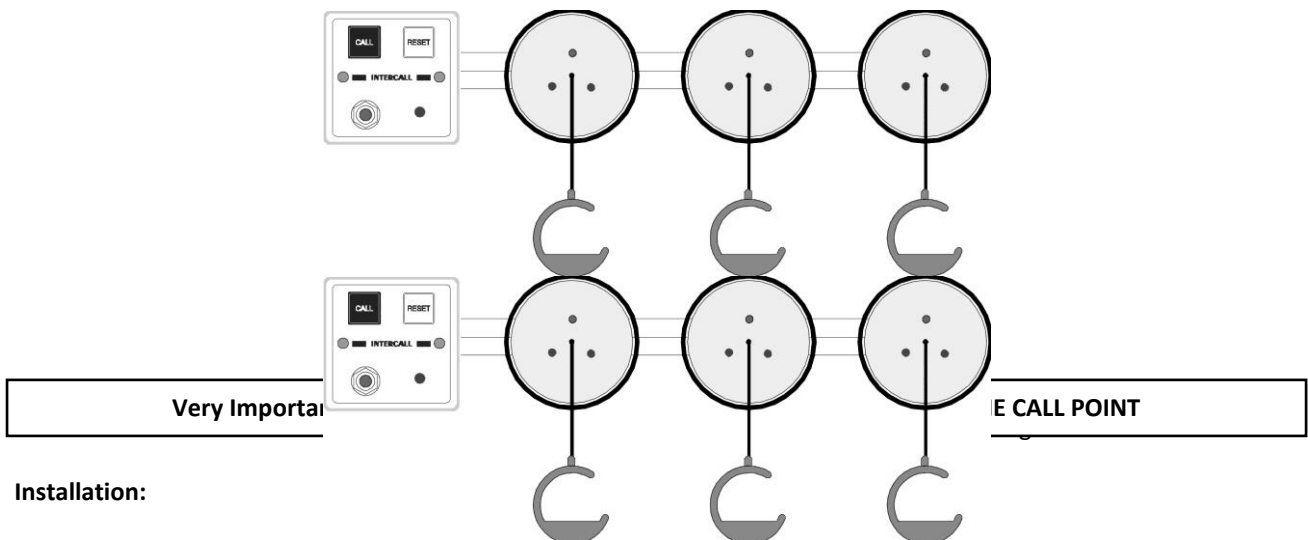
Ceiling Pull Switches are used in bathrooms, fitted to the ceiling over the toilet and bath to allow a call to be generated from these areas. They are fitted with 3 metre length of cord terminated with an easy to operate 'G' style pull and twin re-assurance indicators.



Above: Front view and pcb detail with the cover removed



CS1 Connects to call point 'X' '-ve' and 'L' terminals (L622 call point shown above)



**Installation:**

**Size & Weights:**

Diameter 80mm x depth 30mm weight 50g

**Important:**

You must not mix old style Red LED and new style Clear LED Ceiling Pull switches on the same call point.